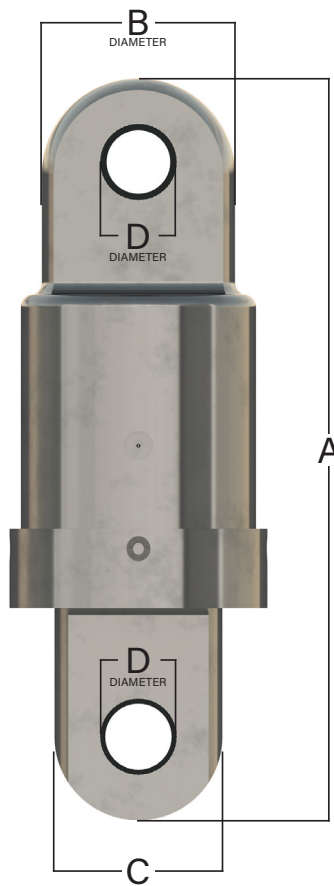


# BALANCE ROPE SWIVELS



## DIMENSIONS & DATA

SAFE WORKING LOAD SF = 10:1	A	B	C	D	E	F	G	H	J	APPROX WEIGHT
	mm	mm	mm	mm	mm	mm	mm	mm	mm	kg
kgf										
3048	242	76	67	32.5	98.5	35	33	57	130	9
5080	280	95	86	42	121	48	43	57	135	20
10160	432	146	127	58	178	70	64	102	229	57
15240(L)	559	178	152	77	216	92	76	133	292	108
15240(H)	591	178	152	77	254	92	76	133	324	155
20320	680	229	203	90	286	114	102	152	381	254
25401	973	200	varies	92	320	131	114	182	412	262
30481	1025	200	varies	90	332	108	113	190	425	320
35561	1162	225	varies	91	348	131	127	188	431	423

ton = 2240 lb